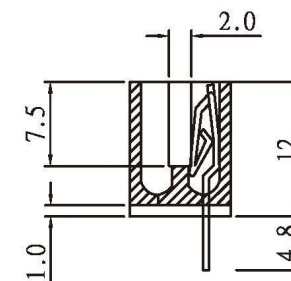
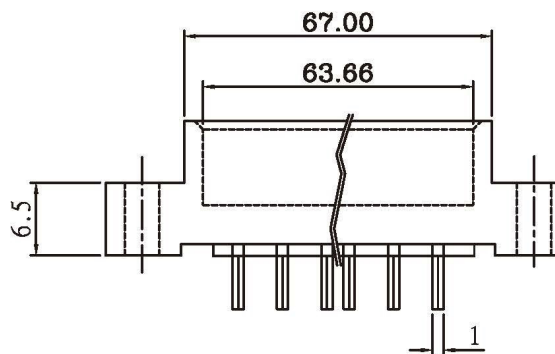
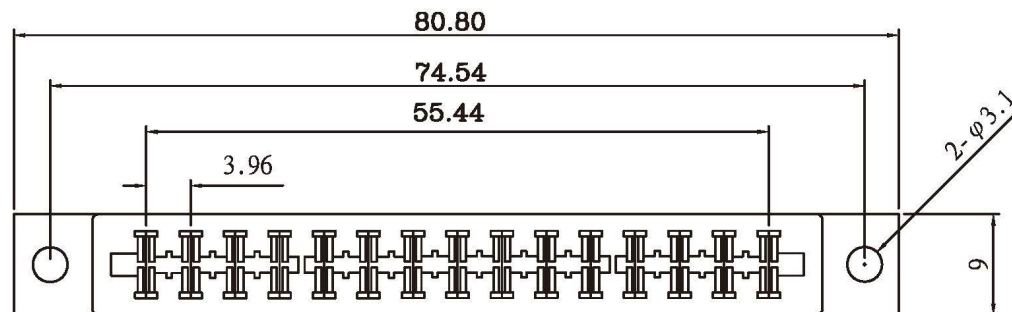


- * Housing Material:
UL94V-0 Glass fiber
reinforce polyester
- * Contact Material:
Phosphor bronze or Brass
- * Current Rating:
3 Amp (1600VAC)
- * Contact Resistance:
Less than 10 milliohms
- * Insulation Resistance:
Over 1000 Ω 500VDC/1 min
- * Operation Temperature:
-55°C ~ +120°C
- * Operation Relative:
Humidity : 5 to 95% R.H.



All Connectors

www.allconnectors.de info@allconnectors.de
Tel.: 0049 711 7009503 Fax: 0049 711 7009504
70794 Filderstadt - Germany Kettnerstr. 25

RoHS Compliant

DRAWING BY CY
CHECKED BY GENIUS
UNIT / mm SCALE 1 : 1
DATE
SIZE A4

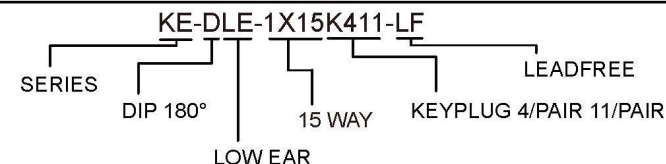
TOLERANCES ARE

X. ±
.X ±
.XX ±
.XXX ±
ANG ±

PJECTION



ORDER INFORMATION



DESCRIPTION: